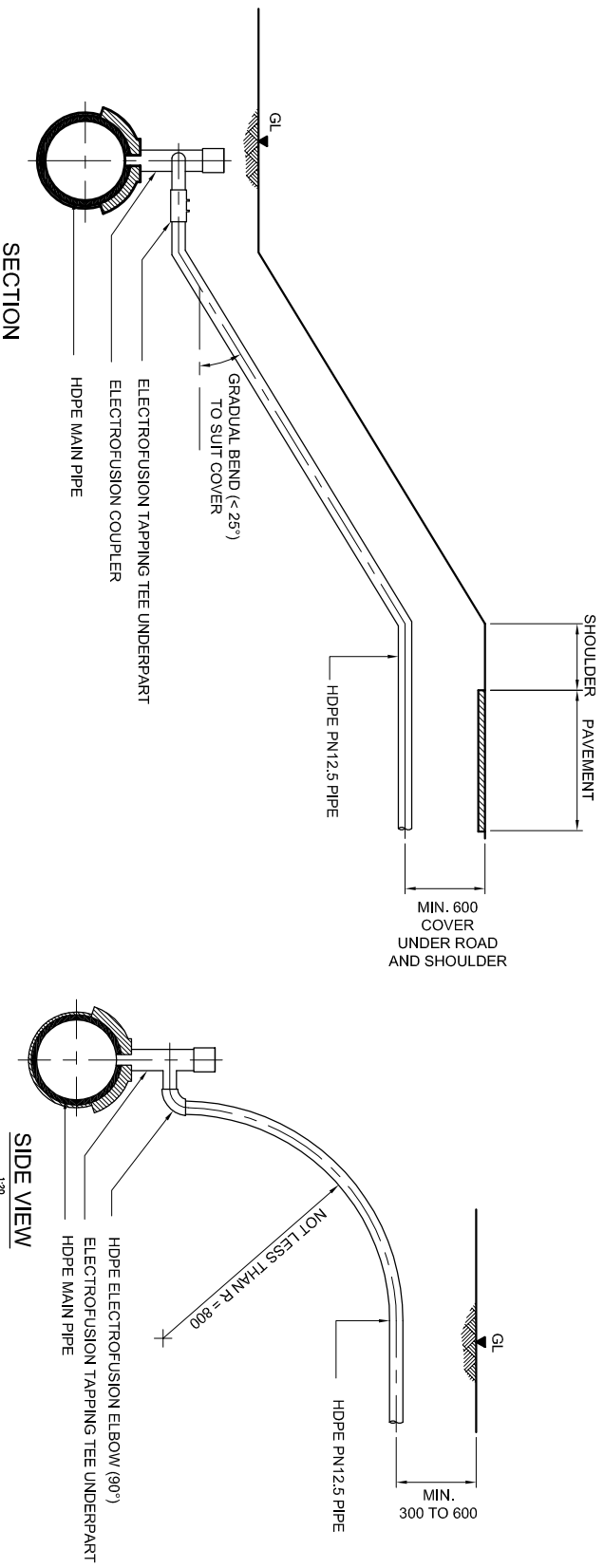
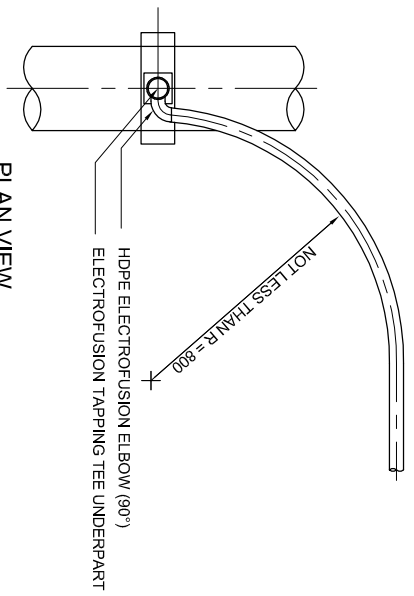


- NOTES:-**
1. ALL DIMENSIONS ARE IN MILLIMETRE UNLESS OTHERWISE STATED.
  2. ACTUAL LENGTH OF COMMUNICATION PIPE SHALL BE DETERMINED ON SITE.
  3. ALL CONCRETE TO BE GRADE 25 UNLESS OTHERWISE STATED.



**TYPE 3A - HDPE TAPPING SADDLE FOR HDPE MAIN PIPE WITH HDPE COMMUNICATION PIPE**

1:20



**PLAN VIEW**

1:20

**SIDE VIEW**

1:20

**TYPE 3A - HDPE TAPPING SADDLE FOR HDPE MAIN PIPE WITH HDPE COMMUNICATION PIPE**

FOR LOCATION WITH AMPLE SPACE AND ROAD LEVEL HIGHER THAN SHOULDER



SURJAHANAWA BERKHIDMATAN AIR NEGARA  
 Area Banih & Area Senu  
 Prima Avenue, Blok 3510  
 Jalan Persekutuan 6,  
 Seksyen 7, Putrajaya,  
 Selangor Darul Ehsan, Malaysia

PREPARED BY :  
**MINCONSULT SDN. BHD.**  
 No. 6, JALAN 5114/223,  
 SEKIDAR PETALING AJAY,  
 43000 Kajang, SEREMBAN, MALAYSIA  
 m i n c o  
 TEL 03-79873757 / 79547373  
 FX 03-79547375 / 79547373

DRAWING TITLE :  
 DETAILS OF HDPE COMMUNICATION  
 PIPE AND TAPPING FROM HDPE  
 RETICULATION PIPE  
 (SHEET 2 OF 2)

DRAWING NO :  
 SPANMWS/STD/F1029